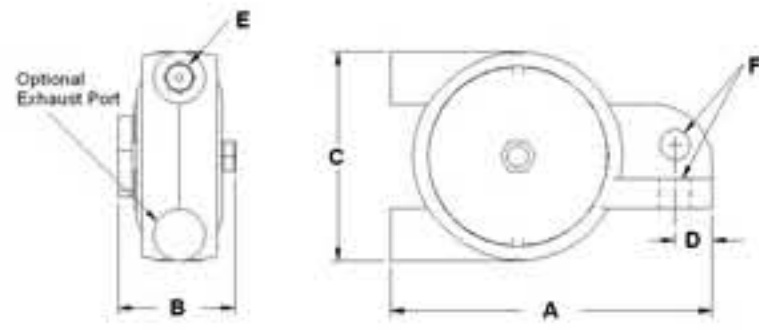


VBB 30



A 3-1/8" (7.9cm)

B 1-1/8" (2.9cm)

C 1-3/4" (4.4cm)

D 1/2" (1.3cm)

E 1/8" NPT

F 5/16" (.8cm)

Weight

0.50 lbs.

Unbalance

.0045 in-lbs (.75 cm-kg)

AIR CNSMP @ 60 psi ; 4.1bar

6.0 cfm ; 170 lpm

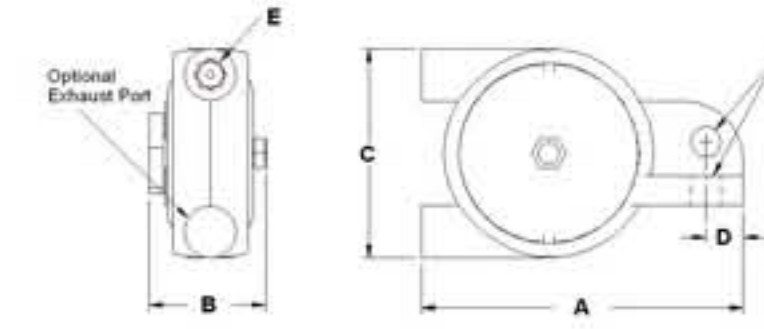
FREQ. @ 60 psi ; 4.1bar

25,000 VPM

Force @ 60 psi ; 4.1bar

80 lbf (355.2N)

VBB 40



A 3-9/16" (9.0cm)

B 1-5/16" (3.3cm)

C 2-1/8" (5.4cm)

D 1/2" (1.3cm)

E 1/4" NPT

F 3/8" (1.0cm)

Weight

1.00 lbs.

Unbalance

.008 in-lbs (1.3 cm-kg)

AIR CNSMP @ 60 psi ; 4.1bar

8.0 cfm ; 227 lpm

FREQ. @ 60 psi ; 4.1bar

20,000 VPM

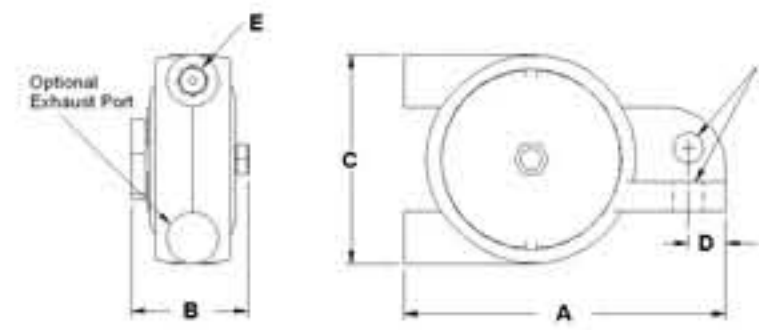
Force @ 60 psi ; 4.1bar

91 lbf (404N)

上海欣帆机电科技有限公司
电话: 021-62255510
www.shinfan.com



VBB 50



A 4" (10.2cm)

B 1-5/16" (3.3cm)

C 2-1/2" (6.4cm)

D 5/8" (1.6cm)

E 1/4" NPT

F 3/8" (1.0cm)

Weight

1.00 lbs.

Unbalance

.02 in-lbs (3.3 cm-kg)

AIR CNSMP @ 80 psi ; 5.4bar

12 cfm ; 340 lpm

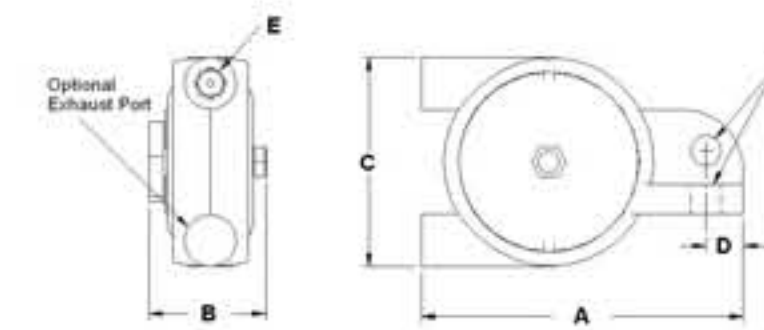
FREQ. @ 80 psi ; 5.4bar

18,000 VPM

Force @ 80 psi ; 5.4 bar

184 lbf (817N)

VBB 80



A 5-3/8" (13.7cm)

B 1-13/16" (4.6cm)

C 3-1/2" (8.9cm)

D 5/8" (1.6cm)

E 1/4" NPT

F 1/2" (1.3cm)

Weight

2.50 lbs.

Unbalance

.114 in-lbs (19 cm-kg)

AIR CNSMP @ 80 psi ; 5.4bar

18 cfm ; 510 lpm

FREQ. @ 80 psi ; 5.4bar

9,000 VPM

Force @ 80 psi ; 5.4 bar

262 lbf (1,163.3N)